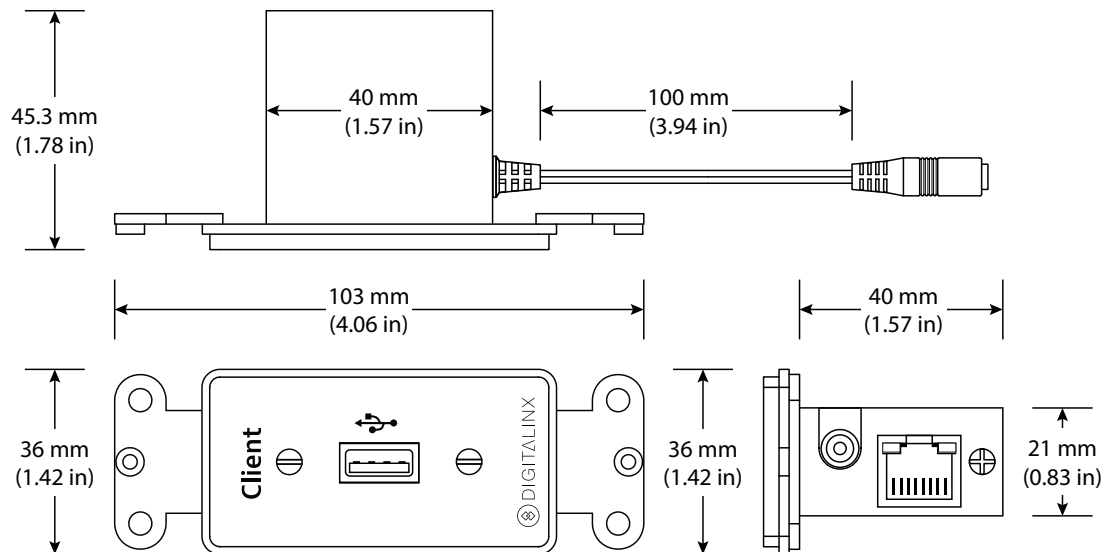


## DL-USB2-WP-C Technical Specifications

Wall Plate USB 2.0 Hi-Speed Twisted Pair Extender  
Rev 141118

The Digitalinx DL-USB2 products will extend a Hi-Speed USB 2.0 signal (480 Mbps) up to 100 meters (328 feet). The extenders may be powered on either end for low power devices such as keyboards or mice. For remote devices which require more power, the client side extender will require to be powered.

Initial offerings in the product line include a modular USB host transmitter (DL-USB2-H), a modular USB client receiver (DL-USB2-C), a wall plate USB host transmitter (DL-USB2-WP-H), and a wall plate USB receiver (DL-USB2-WP-C). All combinations of host and client are compatible with each other.



I/O Connections	
USB	One (1) USB Type A
Twisted Pair	One (1) 8P8C port (Shielded RJ45)
5V DC Power	One (1) Barrel (5.5 mm OD; 2.1 mm ID) on 100mm (3.94 in) whip
Supported Signals	
USB 2.0	Low Speed (1.5 Mbps), Full Speed (12 Mbps), and Hi-Speed (480 Mbps)
USB 1.1	Low Speed (1.5 Mbps) and Full Speed (12 Mbps)
Extender Characteristics	
Maximum Distance	100 m (328 ft)
Cable Requirements	Category 5e, 6, or 6A with TIA/EIA-568B crimp pattern
Chassis and Environmental	
Enclosure	Painted Aluminum
Dimensions (Exposed Module)	46 mm x 21 mm x 40 mm (1.81 in x 0.83 in x 1.57 in)
Shipping Weight	0.3 kg (0.66 lbs)
Operating Temperature	0° to +40° C (+32° to +104° F)
Operating Humidity	20% to 90%, Non-condensing
Storage Temperature	-10° to +60° C (+14° to +140° F)
Storage Humidity	20% to 90%, Non-condensing
Power, ESD, and Regulatory	
Power to USB Devices	500mA
Maximum Power Consumption	4.3 watts
Power Supply Input	100V-240VAC / 50-60 Hz
Power Supply Output	5VDC / 2A
ESD Protection	±8kV (air-gap discharge), ±4KV (contact discharge)
Extender Regulatory	FCC, CE, RoHS
Power Supply Regulatory	UL, CUL, CE, PSE, GS, RoHS
Other	
Warranty	2 years
Diagnostic Indicators	Power and Link LEDs
Included Accessories	Installation Guide, Power Supply with US plug, and Decora ring
Compatible Host Extenders	DL-USB2-H, DL-USB2-WP-H