

intelix

INT-EXRMK Installation Guide



The Intelix INT-EXRMK is a rack mounting kit for the INT-HD70, INT-HDX100, and INT-HDXL100 series extenders. Measuring 5 rack units (5RU) high, the INT-EXRMK can hold up to 12 extenders. Two sizes of support brackets are included with the kit and allow installing the INT-HD70 series extenders next to INT-HDX100 or INT-HDXL100 extenders. 11 panel blanks are included to finalize the clean, professional appearance of the installation.

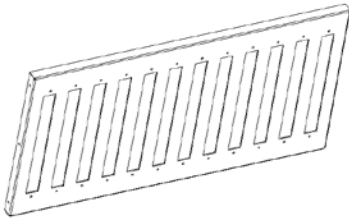
Parts List



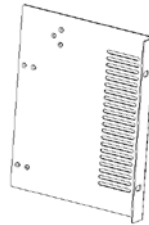
Long Support (12 ea)



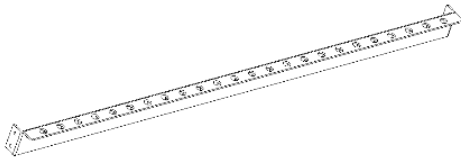
Short Support (24 ea)



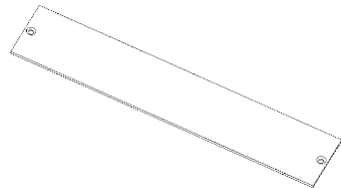
Front Panel (1 ea)



Side Panel (2 ea)



Lateral Support (2 ea)



Front Panel Blank (11 ea)



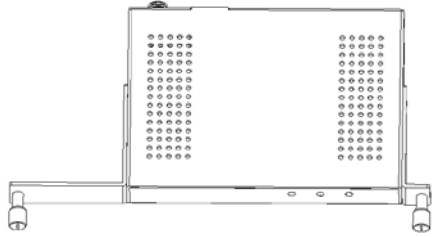
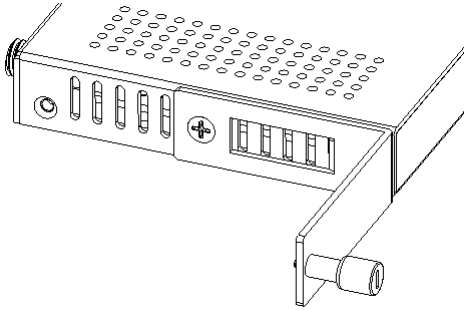
Screw: 2.5x5mm (22 ea)



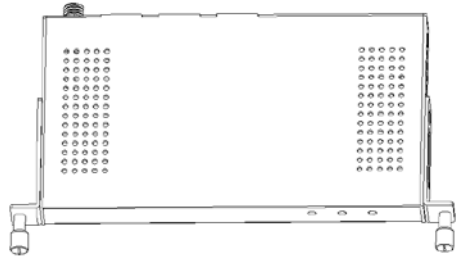
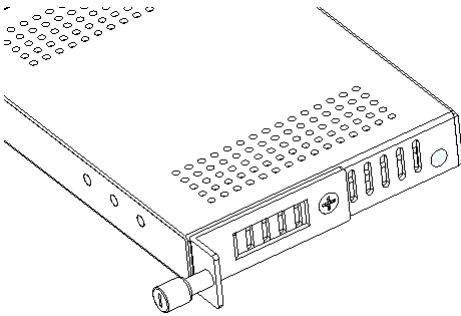
Screw: 3x6mm (44 ea)

Installation Instructions

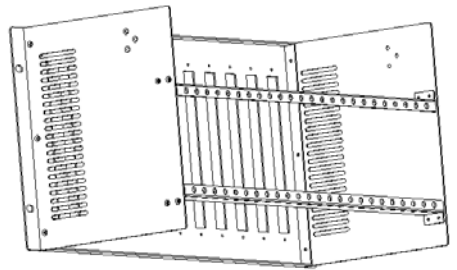
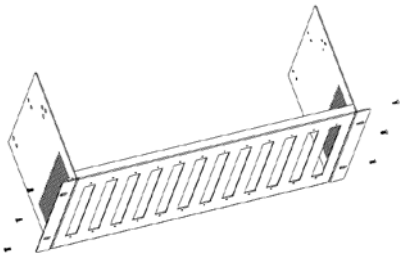
Verify all components included with the INT-EXRMK rack mount kit are present before installation.



Use one Long Support and one Short Support when mounting the INT-HD70 series extenders. Secure each support with one 3x6mm Screw.

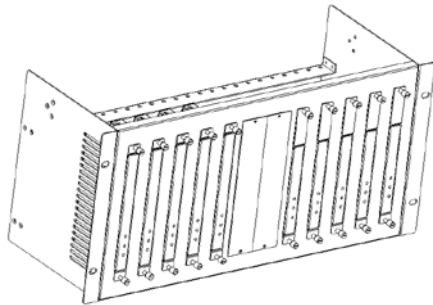
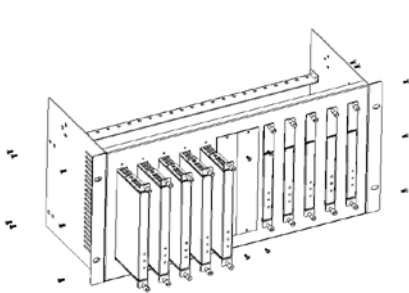


Use two Short Supports when mounting the INT-HDX100 or INT-HDXL100 series extenders. Secure each support with one 3x6mm Screw.



Secure the Side Panels to the Front Panel using 3x6mm Screws.

Attach the Lateral Supports to the Side Panels using 3x6mm Screws.



Install the HDBaseT extenders into the rack kit and tighten the captive screws on the supports.

Attach the Front Panel Blanks using 2.5x5mm Screws over any vacant spaces.

Chassis	
Construction	Black Steel
Dimensions (H x W x D)	220 mm x 480 mm x 170 mm (8.66 in x 18.90 in x 6.69 in)
Other	
Warranty	2 years
HDBaseT Extender Compatibility	INT-HD70-RX, INT-HD70-TX, INT-HDX100-RX, INT-HDX100-TX, INT-HDXL100-RX, INT-HDXL100-TX

intelix

Intelix is a brand of Liberty AV Solutions.



LIBERTY
AV SOLUTIONS
A SUBSIDIARY OF WESCO DISTRIBUTION, INC.

11675 Ridgeline Dr.
Colorado Springs, CO 80921
Toll-Free: 800-530-8998
Fax: 719-260-0075

www.libav.com

rev 160623