

AR-DPM-HDF Technical Specification

Display Port to HDMI® Adapter

Rev. 140721

Liberty's AR-DPM-HDF Display Port to HDMI adapter cable features active Display Port conversion to HDMI signal. This unit is a component of Liberty's patented Digital Keychain Security System that can also function as a standalone adapter for Video presentation system. The unit has the 4-way eyelet for inclusion into a keychain design.

The AR-DPM-HDF unit is manufactured to support the standard resolutions used in presentation and collaboration. The unit supports bandwidth of up to 5.0Gbps. The actual performance will depend on the circuit link that is attached to the adapter. Longer cables attenuate and this can reduce the final throughput.

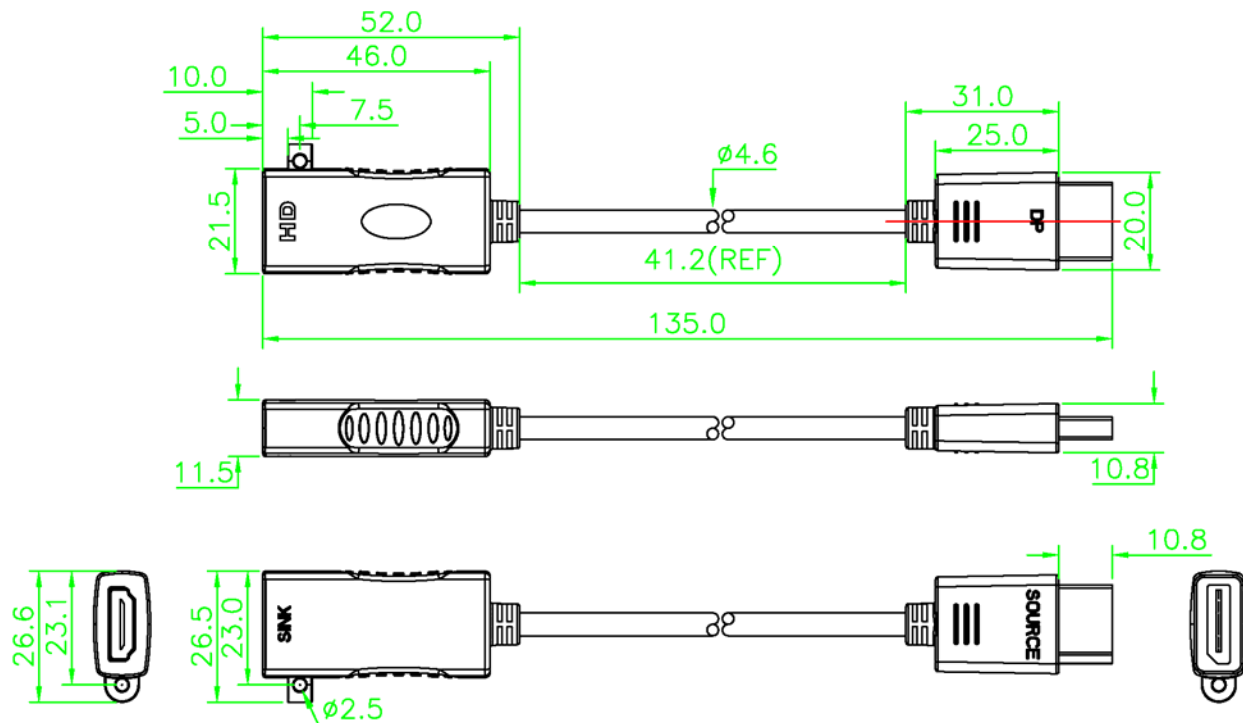
Note the use pattern for this adapter is connected to a passive HDMI cable. Active AOC and Active Copper cables may not work due to the power and technology differences. It is not recommended to use active cables to connect this adapter. The length of the cable should be as short as possible. Patching into passive couplers is not recommended. This item draws power from the Display Port BUS of the source.

Key Features:

- 1080P60/WUXGA Bandwidth
- Tested to VESA requirements
- Can be stand alone
- Component for Digital Keychain

Key Applications:

- Adapting DP to HDMI
- Corporate Boardrooms
- Education and Conference Center
- Presenting and Collaboration



Technical Specifications	
I/O Connections	
Display port	Male Display Port Connector
HDMI	Female HDMI Type A connector
HDMI Supported Video, Audio and Ethernet	
HDMI Maximum Video Compatibility	WUXGA 1920x1200@60HZ, 1080P60
Video Compliance	HDMI 1.4a for 2.25Gbps
Display Port Compliance	DP 1.1 for 1.62Gbps, 2.7Gbps
Training Support	Full Link Training and No Link Training Supported
Maximum Bandwidth	HDMI: 5.0Gbps
Cable Construction	
Molded Hood Constructions	Copper Foil Shielded Pre-mold with PVC over mold. Over mold is black
DP Molded Hood Dimensions	L: 31.0mm x W: 20.0mm x H: 10.8mm. Strain Relief included in overall length
HDMI Molded Hood Dimensions	L: 52.0mm x W: 21.5mm x H: 11.5mm. Strain Relief included in overall length
Cable Jacket Material	Flame rated PVC with a glossy black finish
Cable Construction	32 AWG Tinned Copper
Overall Cable Size	0.181" 4.6mm
Minimum Bend Radius	1.81" 46mm
Maximum Tensile Load	22Lbs 10Kg
Environmental Requirements	
Operating Temperature	0° to +60° C (+32° to +140° F)
Operating Humidity	20% to 85%, Non-condensing
Storage Temperature	-20° to +80° C (0° to +176° F)
Power and Regulatory	
Regulatory	UL AWM 20276 VW-1, EU RoHS-2 2011/65/EU Compliant

Liberty Wire & Cable specifications are subject to change without notice. Contact an account representative for current product specifications. Liberty Wire & Cable continuously strives to ensure product specifications are accurate and complete. All physical specifications are nominal.

Part Matrix	
Item Number	Description
AR-DPM-HDF	Adapter Cable, Display Port to HDMI

National Electric Code® is a registered trademark of the National Fire Protection Agency (NFPA)

NEC® is a registered trademark of the National Fire Protection Agency (NFPA)

HDMI® is a registered trademark of HDMI, LLC

High Definition Multimedia Interface® is a registered trademark of HDMI, LLC

DisplayPort® is a registered trademark of VESA