

E-DVIDDL Technical Specifications

Low Profile DVI Dual Link Cables

Rev. 150427

Liberty's Molded DVI Dual Link cables are high quality Digital Video cables made to meet and exceed DVI specification requirements. The latest revision on this product was a molded head reduction in size to permit high density video source patching in video wall and other commercial applications. This lower profile also permits the DVI head to fit into smaller spaces and clearances.

Liberty has staggered the gauge of the TMDS pairs on this product offering to offer the best value for performance. Lengths 10 meters (32.8 feet) and shorter use 28 AWG wiring for the TMDS pairs. Lengths above 10m use 24 AWG TMDS Pairs for lower attenuation and longer distance runs. All Liberty DVI Dual Link cables are designed to offer the best Performance per length. Lengths up to 6m support the DVI Maximum Dual Link Resolution of 2560x1600 WQXGA@60Hz. Distance applications above 6m should be tested prior to Pulling cables, as the sensitivity of the sink and strength of The source play key roles in determining distance. Any passive junctions will reduce the distance. The use of a booster/equalizer is recommended for lengths over 10 meters.

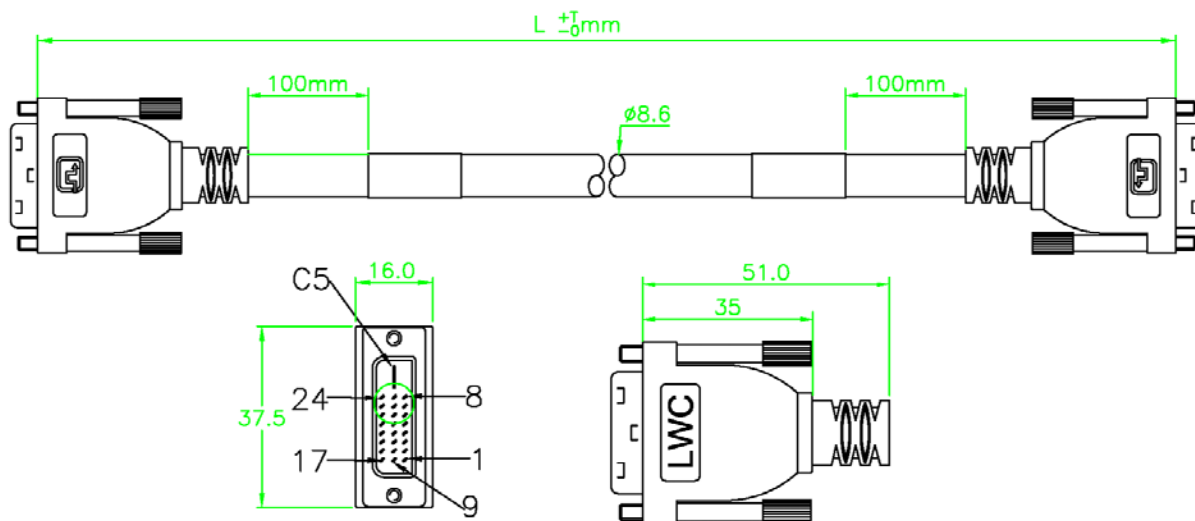
The E-DVIDDL series is safety and fire rated CL2 for the US market and CSA FT4 rated for the Canadian market. The product is RoHS-2 and REACH Compliant. The available lengths on this product are 1, 2, 4, 6, 8, 10, 12 and 15 meters.

Key Features:

- Lower profile molded head size
- Dual Link DVI Digital
- Wire gauge sized appropriate to length for bandwidth
- CL2 and CMG FT4 rated for in-wall

Key Applications:

- High Density Video Processor Connections
- In-wall routing of DVI Video
- Computer Monitor, CAD Station



Technical Specifications	
I/O Connections	
DVI	Male DVI 29-Pin Dual Link
DVI Supported Video	
DVI Maximum Video Compatibility	WQXGA, 2560x1600@60Hz
Video Compliance	DVI, HDCP
Maximum Bandwidth	9.9Gbps up to 6 meters. Note that sink and source variables can affect this
Cable Construction	
DVI Connector Features	DVI Male 29-pin Plug with thumbscrews
DVI Molded Hood Construction	Copper Foil Shielded Pre-mold with PVC over mold. Over mold is black in color.
DVI Molded Hood Dimensions	L: 35mm x H: 37.5mm x W: 16.0mm. Strain Relief 16mm long
Jacket Material	Flame rated PVC with a black finish
Cable Construction	1-10m: 28 AWG Tinned Copper TMDS pairs; 12+M 24 AWG TMDS pairs
Overall Cable Size	28 AWG: 0.339" 8.6mm; 24 AWG: 0.472" 12.0mm
Minimum Bend Radius	28 AWG: 3.39" 86mm; 24 AWG 4.72" 120mm
Maximum Tensile Load	50Lbs 22Kg
Available Cable Lengths	1, 2, 4, 6, 8, 10, 12, and 15 meters
Environmental Requirements	
Operating Temperature	0° to +75° C (+32° to +167° F)
Operating Humidity	20% to 85%, Non-condensing
Storage Temperature	-20° to +80° C (0° to +176° F)
Power and Regulatory	
Regulatory	NEC® CL2, CSA CMG FT4, REACH, EU RoHS-2 2011/65/EU Compliant

Liberty Wire & Cable specifications are subject to change without notice. Contact an account representative for current product specifications. Liberty Wire & Cable continuously strives to ensure product specifications are accurate and complete. All physical specifications are nominal.

National Electric Code® is a registered trademark of the National Fire Protection Agency (NFPA)

NEC® is a registered trademark of the National Fire Protection Agency (NFPA)