

FTPSA0A Technical Specification

Category 6_A/Class E_A STP Field Terminable Plug

Rev. 171117

Liberty's FTPSA0A Field Terminable Category 6_A/Class E_A Plug is a fully compliant component for Digital Multimedia and networking links. The connector fits a wide range of conductors and cable diameters and supports 10GBaseT networking speeds. This unit features a 750 mating minimum lifecycle and 50μ inch gold plating on the contacts.

The FTPSA0A features a reusable IDC format with a load bar that can be reused up to 5 times (Recommended maximum). No special tooling is required to terminate this connector. The action of closing the connector pushes the load bar down and completes the termination cycle. The boot is cut to the diameter required for the cable.

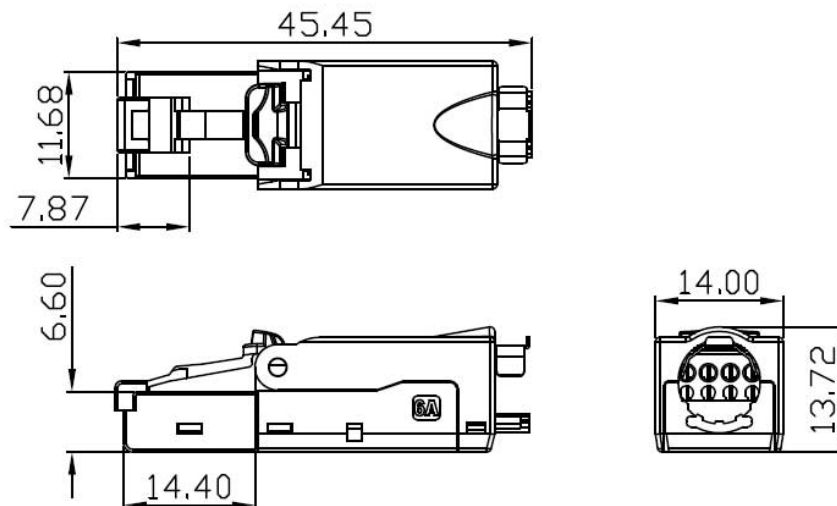


Key Features:

- Shielded
- ANSI/TIA-568-C.2.1 Category 6_A
- 568 Compliant IDC termination
- No special tools required
- Fits up to 22 AWG wires

Key Applications:

- 10/100/1000/10GBaseT Ethernet
- Digital Multimedia patching
- HDBaseT®, TMDS connections
- VoIP, POTS Telecommunications
- Industrial Control patching



Technical Specifications	
I/O Connections	
Networking	Male 8P8C RJ45, Shielded
Infrastructure	IDC, ANSI/TIA-568 Compliant for field termination
Electrical Specifications	
Insulation Resistance	≥ 500MΩ
Dielectric Withstanding Voltage	1000VDC
Contact Resistance	≤ 20mΩ
Current Rating	1.5A @ 68°F (20°C)
Mechanical Specification	
Plug Insertion Life	≥ 750 Mating Cycles
Conductor sizes supported	Solid Wire: 22~26AWG, Stranded Wire: 22~27AWG
Re-termination Capability	5 Cycles
Temperature Test	-40°F to 150°F (-40°C to 66°C)
Physical Specification	
Body Material	Polycarbonate and ABS, UL94V0
Shielding	Nickel Plated Zinc
Contact and Plating	Phosphor Bronze with 50μ" Gold Plating over contact area
Wiring Label	ANSI/TIA-568 A and B, PNO
Environmental Requirements	
Operating Temperature	0° to +75° C (+32° to +167° F)
Operating Humidity	20% to 85%, Non-condensing
Storage Temperature	-20° to +80° C (0° to +176° F)
Power and Regulatory	
Regulatory	IEC 60603-7-5, UL Listed Communication Circuit Accessory file E135640
Performance	ANSI/TIA-568-C.2 Category 6A

Liberty Wire & Cable specifications are subject to change without notice. Contact an account representative for current product specifications. Liberty Wire & Cable continuously strives to ensure product specifications are accurate and complete. All physical specifications are nominal.

Part Matrix	
Item Number	Description
FTPSA0A	Category 6 _A RJ45 Plug, Field Terminable Shielded, Nickel Plated

National Electric Code® is a registered trademark of the National Fire Protection Agency (NFPA)

NEC® is a registered trademark of the National Fire Protection Agency (NFPA)

HDBaseT® is a registered trademark of the HDBaseT Alliance