

## FTPU60A Technical Specification

### Category 6 UTP Field Terminable Plug

Rev. 171117

Liberty's FTPU60A Field Terminable Category 6 Plug is a fully compliant component for Digital Multimedia and networking links. The connector fits a wide range of conductors and cable diameters and supports up to 10GBaseT networking speeds. This unit features a 750 mating minimum lifecycle and 50µ inch gold plating on the contacts.

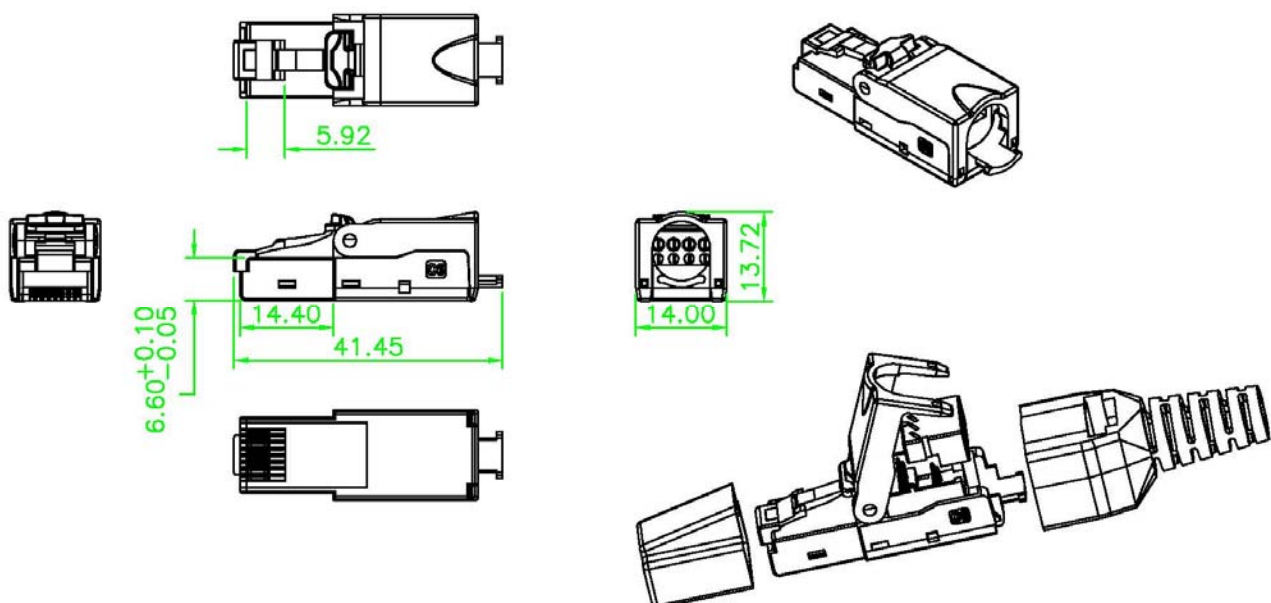
The FTPU60A features a reusable IDC format with a load bar that can be reused up to 5 times (Recommended maximum). No special tooling is required to terminate this connector. The action of closing the connector pushes the load bar down and completes the termination cycle. The boot is cut to the diameter required for the cable. This connector can fit oversized cables up to 9mm in diameter.

### Key Features:

- UL Listed
- ANSI/TIA-568-C.2.1 Category 6
- 568 Compliant IDC termination
- No special tools required
- Fits up to 22 AWG wires

### Key Applications:

- 10/100/1000/10GBaseT Ethernet
- Digital Multimedia patching
- Video over IP
- VoIP, POTS Telecommunications
- Industrial Control patching



Technical Specifications	
<b>I/O Connections</b>	
Networking	Male 8P8C RJ45, Unshielded
Infrastructure	IDC, ANSI/TIA-568 Compliant for field termination
<b>Electrical Specifications</b>	
Insulation Resistance	≥ 500MΩ
Dielectric Withstanding Voltage	1000VDC
Contact Resistance	≤ 20mΩ
Current Rating	1.5A @ 68°F (20°C)
<b>Mechanical Specification</b>	
Plug Insertion Life	≥ 750 Mating Cycles
Conductor sizes supported	Solid Wire: 22~26AWG, Stranded Wire: 22~27AWG
Cable diameter supported	0.236 ~ 0.354 inches (6~9mm)
Re-termination Capability	5 Cycles
Temperature Test	-40°F to 150°F (-40°C to 66°C)
<b>Physical Specification</b>	
Body Material	Polycarbonate and ABS, UL94V0
Contact and Plating	Phosphor Bronze with 50μ" Gold Plating over contact area
Wiring Label	ANSI/TIA-568 A and B, PNO
<b>Environmental Requirements</b>	
Operating Temperature	0° to +75° C (+32° to +167° F)
Operating Humidity	20% to 85%, Non-condensing
Storage Temperature	-20° to +80° C (0° to +176° F)
<b>Power and Regulatory</b>	
Regulatory	IEC 60603-7-5, UL Listed Communication Circuit Accessory file E135640
Performance	ANSI/TIA-568-C.2 Category 6

Liberty Wire & Cable specifications are subject to change without notice. Contact an account representative for current product specifications. Liberty Wire & Cable continuously strives to ensure product specifications are accurate and complete. All physical specifications are nominal.

Part Matrix	
Item Number	Description
FTPU60A	Category 6 RJ45 Plug, Field Terminable Unshielded

National Electric Code® is a registered trademark of the National Fire Protection Agency (NFPA)

NEC® is a registered trademark of the National Fire Protection Agency (NFPA)

HDBaseT® is a registered trademark of the HDBaseT Alliance