



PM8FA

Pendant Mount Speaker Series



PM8FA-B

Features

- 8" FA138 driver provides 100° (50° off-axis) coverage in the 2 kHz octave band
- 70.7V taps @ 1.9, 3.8, 7.5, 15, 30, & 60 Watts plus 8 Ω direct input via concealed terminal block
- Outstanding full range frequency response of 65 Hz – 20 kHz.

Technical Specifications

Power Rating:	100 Watts Peak, 70 Watts RMS
70.7 Taps:	1.9, 3.8, 7.5, 15, 30, & 60 Watts
Frequency Response:	60 Hz – 20 kHz (±5 dB)
Sensitivity(1W/1M):	90 dB
Dispersion Angle:	100°
Woofers Mag. Wt.:	21 oz. (580 g)
Woofers:	8" Poly Cone & SBR Surround
HF Driver:	Coaxially Mounted PEI Dome Tweeter
Dimensions:	Diameter - 12.25" (311.15 mm) Overall Height - 16.62" (422.148 mm)
Enclosure Volume:	1075 In ³ (17,616.09 cm ³)
Weight:	25 lbs (11.34 kg)

Applications

The Atlas Sound PM8FA was specifically designed for upscale performance in retail and hospitality applications, and features the popular FA138 loudspeaker in a specifically tuned and ported enclosure to provide impressive music reproduction and page intelligibility.

Attaching the PM8FA to most overhead surfaces is a breeze. For open beam ceilings a 3 meter cable kit is included with a self gripping ferrule system. If down pipe installation from hard ceiling material is required, any ¾" ceiling fan installation kit may be utilized. These kits are readily available under the FANTEC™ brand from home improvement stores with various down pipe length options to provide installation ease regardless of ceiling material angle (Up to 45°).

Either installation solution is discreetly implemented via the PM series innovative top cover design concealment cap. This "cap" includes a cable access plug that is easily removed for down pipe mounting. The cover also completely conceals the speaker cable terminations and the suspension anchor points.

Several packages are offered to suit various coverage pattern and installation scenarios. For low ceilings, Atlas Sound offers a discrete enclosure system containing a ultra wide coverage 4" FA series driver. For higher ceiling applications, Atlas Sound PM series answers the need for a variety of budget and performance requirements with three different 8" driver options, factory assembled into in a larger pendant style enclosure.

Available in black or white enclosure finish.



PM8FA-B
Hanging

©2013 Atlas Sound L.P. All rights reserved. Atlas Sound is a trademark of Atlas Sound L.P. All other trademarks are the property of their respective owners. All specs are subject to change without notice. AT5002843 RevA 2/08

Architects And Engineers Specifications

The loudspeaker system shall include a high performance 8" coaxial loudspeaker, ported and tuned bass reflex enclosure and form fit grille for conventional ceiling installation via cable or down tube mounting system.

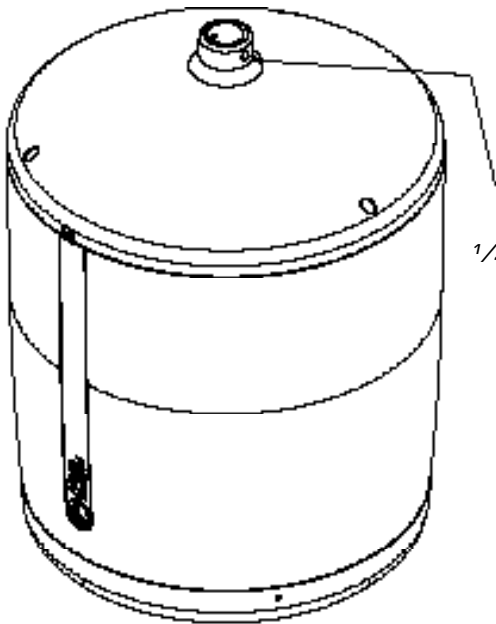
Frequency response for the system shall be 60 Hz – 20 kHz. Sensitivity shall be 90 dB peak (1 W/1 M). Loudspeaker shall be comprised of an 8" coaxial cone type driver. Cone shall be constructed of polypropylene with a butyl rubber surround. The 19 mm tweeter shall be constructed of PEI. Woofer magnet shall be a minimum of 21 oz. (595 g) and the voice coil diameter shall be 1½" (38 mm).

Transformer shall be (70.7V / 100V) volt type with watt primary taps at 1.9, 3.8, 7.5, 15, 30, & 60 Watts (@70.7V) and a transformer bypass position for 8 Ω operation on an 8 position terminal block.

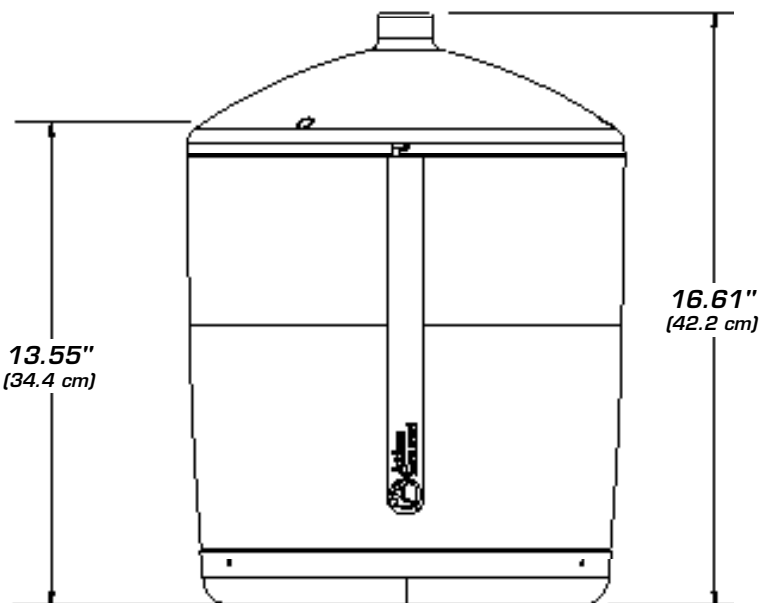
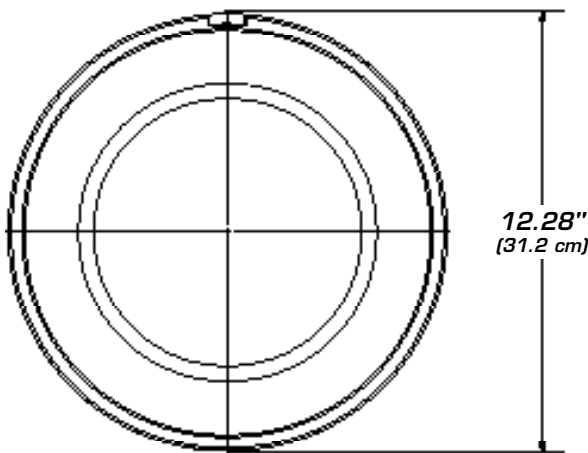
The loudspeaker system shall be the Atlas Sound PM8FA.



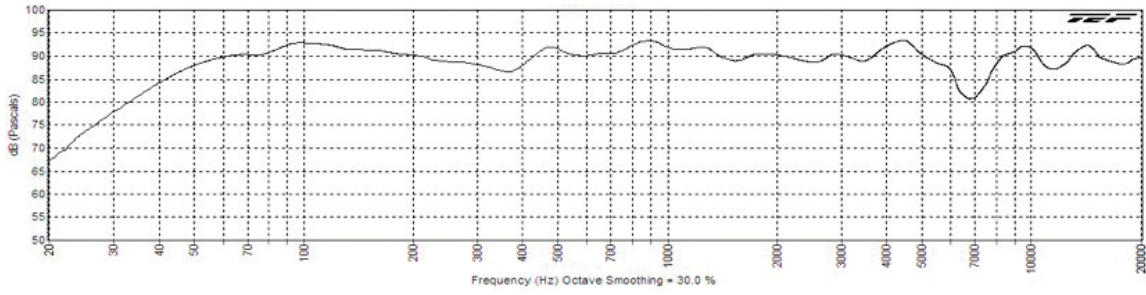
Taps Terminal Selection



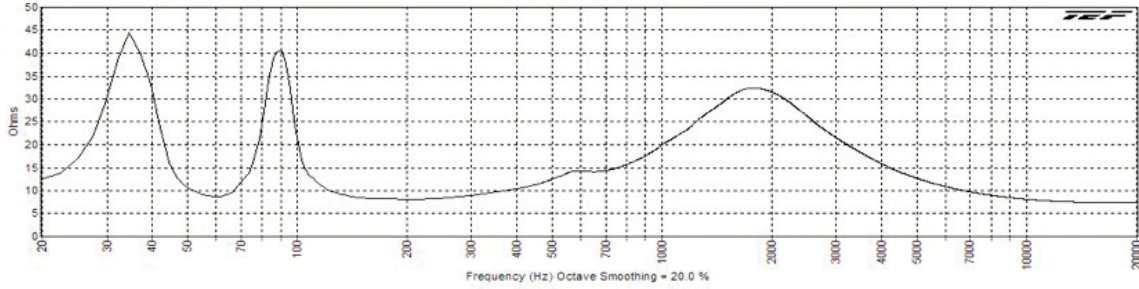
1/4-20 Thread Hole for Securing Conduit Installation



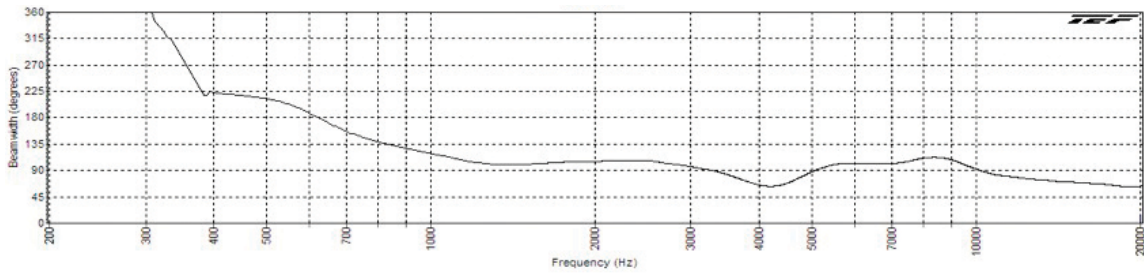
©2013 Atlas Sound L.P. All rights reserved. Atlas Sound is a trademark of Atlas Sound L.P. All other trademarks are the property of their respective owners. All specs are subject to change without notice. AT5002843 RevA 2/08



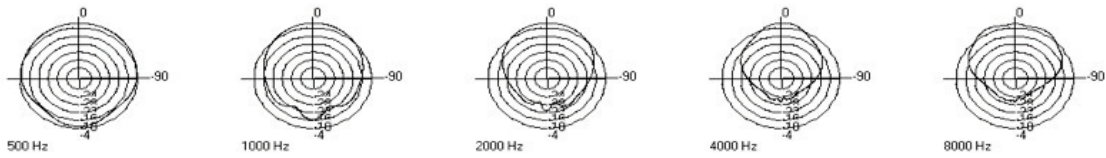
PM8FA Frequency Response



PM8FA Impedance



PM8FA Beamwidth



PM8FA Polar Charts