



# T720 Series

## High Quality Torsion Spring Grilles

### Features

- Torsion-Spring Mounting and Concealed Loudspeaker Mounting Studs Assure Hardware-Free Appearance
- Specifically Designed for Quick, Efficient, and Economical Recessed Installation of 4" Loudspeakers
- Welded CRS Construction Eliminates Vibration and Rattle
- Baffles Include Provisions to Accommodate Ceiling Depths Up to 2" Deep
- Attractive Textured White Epoxy Finish

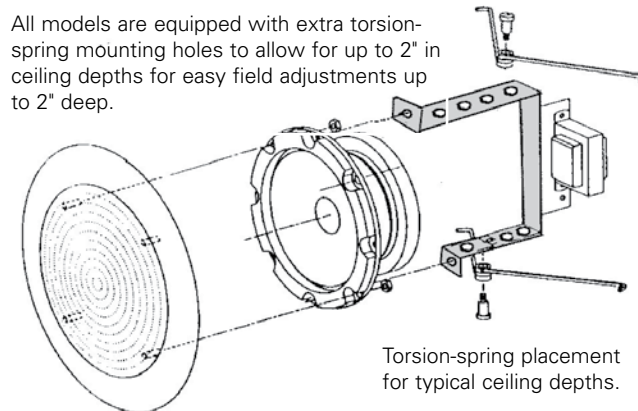
### Applications

Utilize Atlas Sound is high-quality, torsion-spring grilles wherever a hardware-free appearance is desired to maintain architectural integrity. Both models are designed for recessed ceiling installation of 4" (102mm) or 8" (203mm) loudspeakers. The torsion-spring mounting assembly assures quick, efficient, and economical installation.

### General Description

**T720-4/  
T7204BT** Round, recessed baffle Model T720-4 and T720-4BT feature a contoured design with a raised perforated screen creating a sculptured shape to coordinate with lighting fixture trims. Torsion-spring installation and concealed loudspeaker studs provide for an uninterrupted appearance. Both Models mount 4" (102mm) loudspeakers and are of welded CRS (20-gauge ring, 22-gauge screen). Models are finished in textured white epoxy.

**T720-8A** Round recessed baffle Model T720-8A features a contoured design with a raised perforated screen to create a sculptured shape that coordinates with lighting fixture trims. Torsion-spring installation and concealed loudspeaker studs provide an uninterrupted appearance. Model T720-8A provides for recessed installation of 8" (203mm) loudspeakers into ceilings with a depth of up to 2" (51mm). Welded CRS (20-gauge ring, 22-gauge screen) construction eliminates vibration. Finish is textured white epoxy.



All models are equipped with extra torsion-spring mounting holes to allow for up to 2" in ceiling depths for easy field adjustments up to 2" deep.



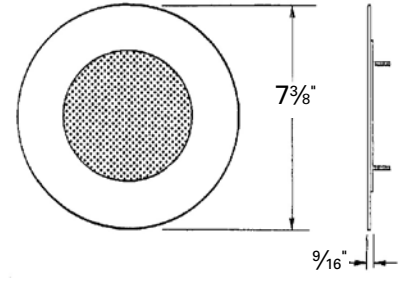
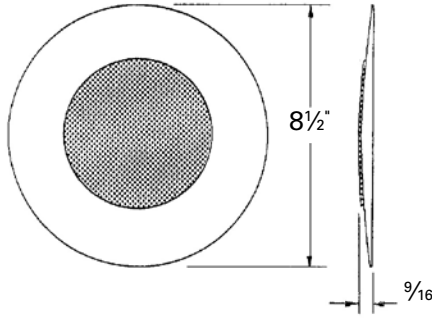
**T720-4 Torsion Springs**

©2011 Atlas Sound L.P. All rights reserved. Atlas Sound and Strategy Series are trademarks of Atlas Sound L.P. All other trademarks are the property of their respective owners. ATS004141 RevA 7/11

### Specifications

#### T720-4

- Diameter (A) 7<sup>5</sup>/<sub>8</sub>" (187mm)
- Projects (B) 9<sup>1</sup>/<sub>6</sub>" (14mm)
- Mount Enclosure (EZ)E410 Series
- Mounting Ring PR411
- Weight .60 lbs. (.295kg.)



#### T720-4BT

- Diameter (A) 8<sup>1</sup>/<sub>2</sub>" (216mm)
- Projects (B) 9<sup>1</sup>/<sub>6</sub>" (14mm)
- Mount Enclosure (EZ)E410 Series, BMT95-4(-7)
- Mounting Ring PR411
- Weight .78 lbs. (.353kg.)

#### T720-8A

- Diameter (A) 12" (304.8mm)
- Projects (B) 1<sup>1</sup>/<sub>4</sub>" (6.35mm)
- Mount Enclosure EZ95-8, T95-8, BMT95-8(-7)
- Mounting Ring T75-8(E1)(E2)
- Weight 1.7 lbs. (.77kg.)

### Architect and Engineer Specifications

The metal baffle shall be Atlas Sound Model \_\_\_\_ (T720-4, T720-4BT) for 4" (102mm) or Model T720-8A for 8" (203mm) loudspeakers, or approved equal. It shall utilize a torsion spring device to attach baffle to either Atlas Sound enclosure Model \_\_\_\_ or mounting ring Model \_\_\_\_, or equals. The baffle shall have provisions to accommodate ceiling depths up to 2" deep. Baffle shall have diameter of \_\_\_\_ and have welded studs on rear for mounting loudspeaker. It shall be finished in textured white epoxy.