



USER MANUAL

MODEL:

TDPB-2V1AD

Dual square table box with HDMI, VGA,
3.5mm audio, and RJ45 inputs

TDPB-2V1AD Quick Start Guide

This guide helps you install and use your product for the first time.

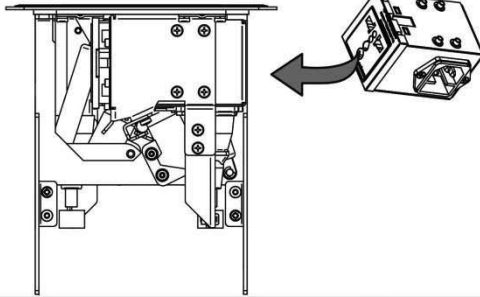
Step 1: Check what's in the box

- ✓ TDPB-2V1AD
- ✓ 2 table clamps
- ✓ 1 cut out template
- ✓ 1 quick start guide

Step 2: Prepare the TDPB-2V1AD for mounting

Install the required power socket.

Note that the power socket is purchased separately.



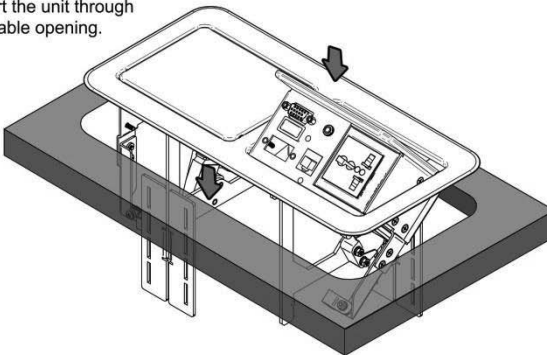
Step 3: Prepare the table for mounting

Cut out an opening in the table using the cut out template.



Step 4: Install the TDPB-2V1AD to the table

Insert the unit through the table opening.



Mount the clamps, secure the unit to the table and connect the cables.

Contents

| | | |
|----------|------------------------------------------------------|-----------|
| 1 | Introduction | 1 |
| 2 | Getting Started | 2 |
| 2.1 | Achieving the Best Performance | 2 |
| 2.2 | Recycling Products | 3 |
| 3 | Overview | 4 |
| 4 | Defining the TDPB-2V1AD | 6 |
| 4.1 | The TDPB-2V1AD Connecting Surface Unit | 8 |
| 4.2 | Power Socket Options | 9 |
| 5 | Installing the TDPB-2V1AD | 10 |
| 5.1 | Cutting an Opening | 10 |
| 5.2 | Installing the Power Socket | 11 |
| 5.3 | Inserting the TDPB-2V1AD through the Cut-Out Opening | 13 |
| 5.4 | Connecting the Cables | 13 |
| 6 | Technical Specifications | 14 |

Figures

| | |
|-------------------------------------------------------------------------------------------------------------------|----|
| Figure 1: TDPB-2V1AD Dual square table box with HDMI, VGA, 3.5mm audio, and RJ45 inputs | 4 |
| Figure 2: Defining the Parts of the TDPB-2V1AD Dual square table box with HDMI, VGA, 3.5mm audio, and RJ45 inputs | 6 |
| Figure 3: TDPB-2V1AD Dual square table box with HDMI, VGA, 3.5mm audio, and RJ45 inputs Side View | 7 |
| Figure 4: TDPB-2V1AD Connecting Surface | 8 |
| Figure 5: Cut out Dimensions | 11 |
| Figure 6: TDPB-2V1AD Universal Power Socket Housing | 11 |
| Figure 7: Power socket installed | 12 |

1 Introduction

Congratulations on purchasing the **TDPB-2V1AD** Dual square table box with HDMI, VGA, 3.5mm audio, and RJ45 inputs, which is ideal for boardrooms, conference and training rooms!

Your **TDPB-2V1AD** is available in two models: in black (model TDPB-2V1AD-B) and in aluminum (model TDPB-2V1AD-A).

2 Getting Started

We recommend that you:

- Unpack the equipment carefully and save the original box and packaging materials for possible future shipment
- Review the contents of this user manual

2.1 Achieving the Best Performance

To achieve the best performance:

- Use only good quality connection cables (we recommend high-performance, high-resolution cables) to avoid interference, deterioration in signal quality due to poor matching, and elevated noise levels (often associated with low quality cables)
- Do not secure the cables in tight bundles or roll the slack into tight coils
- Avoid interference from neighboring electrical appliances that may adversely influence signal quality
- Position your **TDPB-2V1AD** away from moisture, excessive sunlight and dust



This equipment is to be used only inside a building. It may only be connected to other equipment that is installed inside a building.

Do not place heavy objects on top of the **TDPB-2V1AD**.

2.2 Recycling Products

The Waste Electrical and Electronic Equipment (WEEE) Directive 2002/96/EC aims to reduce the amount of WEEE sent for disposal to landfill or incineration by requiring it to be collected and recycled. To comply with the WEEE Directive, we have made arrangements with the European Advanced Recycling Network (EARN) and will cover any costs of treatment, recycling and recovery of waste Electronics branded equipment on arrival at the EARN facility.

3 Overview

The **TDPB-2V1AD** is a furniture-mounted pop-up connection bus that includes two identical pop-up connecting surfaces facing opposite sides. The **TDPB-2V1AD** is easily installed into a table or podium top.

Each of the pop-up interfaces enables you to connect any equipment to systems installed in a room, and includes the following pass-through connectors:

- 1 PC on a 15-pin HD connector
- 1 HDMI connector
- 1 stereo audio on a 3.5mm connector
- 1 Ethernet RJ-45 connector

When not in use, you can independently lower each of the interfaces flush into the table. The example in [Figure 1](#) shows the **TDPB-2V1AD** in a table or podium top with a universal power socket.

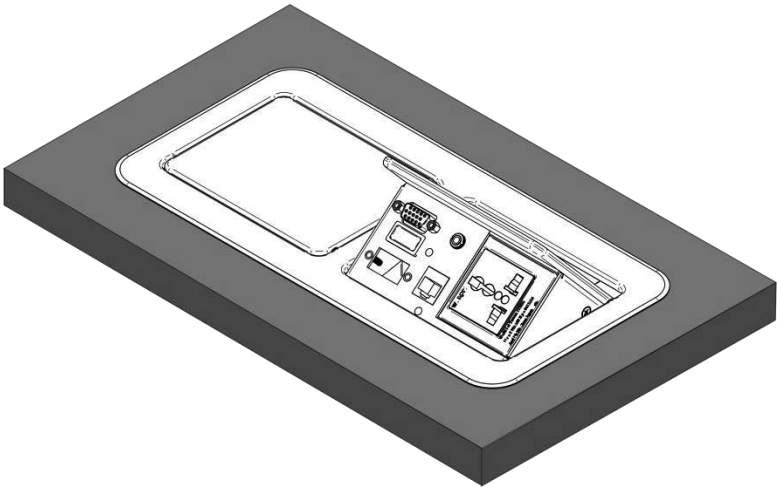


Figure 1: TDPB-2V1AD Dual square table box with HDMI, VGA, 3.5mm audio, and RJ45 inputs

In addition, the **TDPB-2V1AD** is:

- Easily opened and closed by pressing down gently on the lid due to its tilting angular construction, pneumatic lift and mechanical latching mechanism. It can be raised (when in use) or lowered (when not in use)

4 Defining the TDPB-2V1AD

Figure 2 and Figure 3 define the TDPB-2V1AD.



Note that both pop-up units are identical so [Figure 2](#) and [Figure 3](#), as well as the following tables apply to each one of them separately.

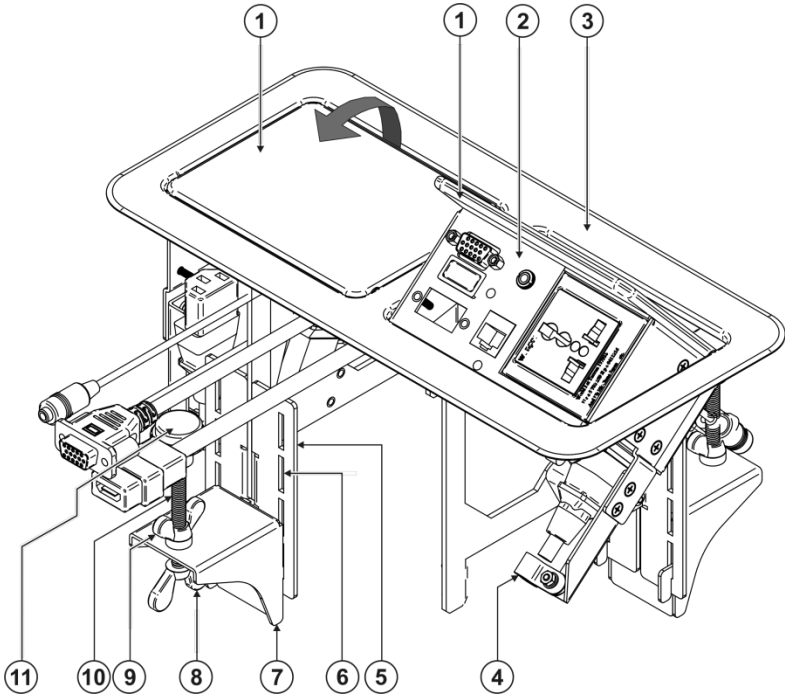


Figure 2: Defining the Parts of the TDPB-2V1AD Dual square table box with HDMI, VGA, 3.5mm audio, and RJ45 inputs

| # | Feature | Function |
|---|-----------------------------------------------------------------|-------------------------------------------------------------------------------------|
| 1 | Black anodized or brushed anodized aluminum semi-automatic lids | A cover for each connecting surface, leaving the table surface neat and tidy |
| 2 | Connecting Surface | See Section 4.1 |
| 3 | Outer Rim | Fits over the table surface |
| 4 | Power Connector Lock | Secures the power cable so it does not accidentally disconnect when opening the lid |
| 5 | Mounting Clamp Plates | For holding the clamps |

| # | Feature | Function |
|----|-----------------------------|--------------------------------------------------------------------------------------------------------------------|
| 6 | Mounting Clamp Slits | Insert the mounting clamps to the slits when installing the TDPB-2V1AD |
| 7 | Mounting Clamps (2) | Place in the clamp slits after inserting the enclosure into the table – for securing the unit to the table surface |
| 8 | Mounting Butterfly Nuts (2) | Tighten to secure the unit to the table surface |
| 9 | Locking Butterfly Nuts (2) | Tighten to lock the mounting butterfly screw |
| 10 | Mounting Screws (2) | For securing the TDPB-2V1AD to the table |
| 11 | Rubber Protectors (2) | To ensure soft tightening to the table underside |

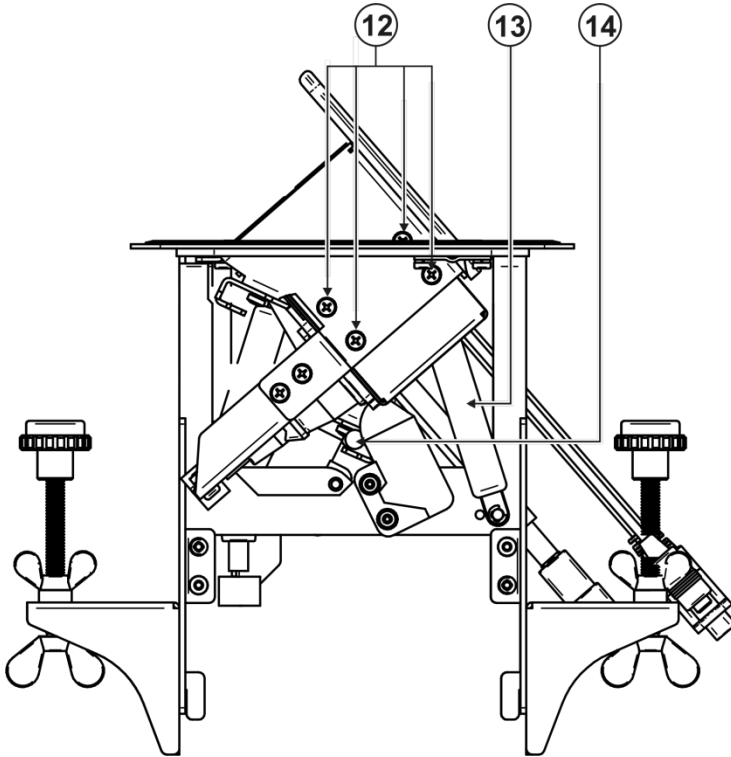


Figure 3: TDPB-2V1AD Dual square table box with HDMI, VGA, 3.5mm audio, and RJ45 inputs Side View

| # | Feature | Function |
|----|--------------------------------------|--------------------------------------------------------------------|
| 12 | Power Socket Opening Screw Holes (4) | For installing/replacing the power socket |
| 13 | Pneumatic Piston | Enables automatic lifting and smooth closing of the lid |
| 14 | Mini Latch | Enables the closing and opening of the lid by slightly pressing it |

4.1 The TDPB-2V1AD Connecting Surface Unit

Figure 4 defines a connecting surface (one of two) and includes the universal power socket (sold separately) for illustration purposes only:

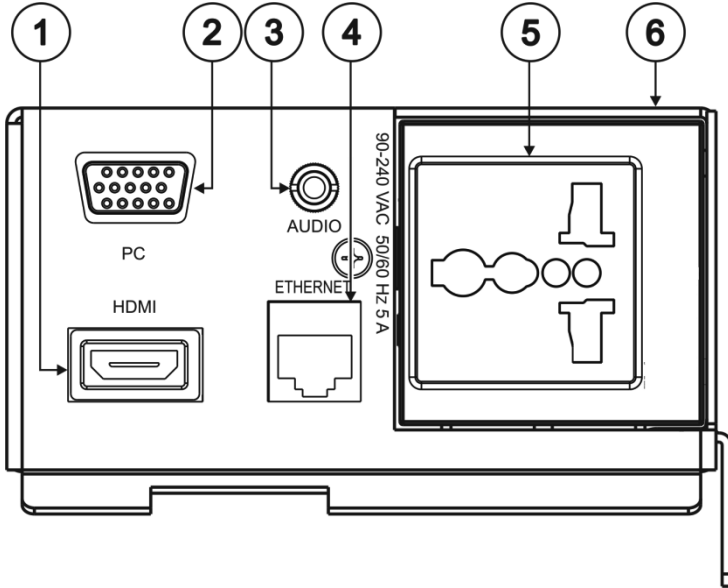



Figure 4: TDPB-2V1AD Connecting Surface

| # | Feature | Function |
|---|------------------------|-----------------------------------------------------------------------|
| 1 | HDMI Connector | Connect to an HDMI source |
| 2 | PC 15-pin HD Connector | Connect to a computer graphics source |
| 3 | AUDIO 3.5mm Mini Jack | Connects to an unbalanced stereo audio source |
| 4 | ETHERNET Connector | Connects to the PC or other Controller through computer networking |
| 5 | Power Socket Opening | Suitable for various power sockets (see Section 4.2) |
| 6 | Connecting Surface | Pops up when gently pressing the lid |

4.2 Power Socket Options

A power socket is available for purchase for the USA. Note that the photo below is for illustration purposes only.

| Power Socket Type | Power Specs |
|-------------------------------------------------------------------------------------------|----------------------------------------------------------------------------------------|
| USA:  | TS-201US (80-000046) 100-125V AC, 50/60Hz, 5A Maximum 5A per power outlet |

5 Installing the TDPB-2V1AD

To install the **TDPB-2V1AD** perform the following steps:

1. Cut an opening in the table (see [Section 5.1](#)).
2. Install the power socket (see [Section 5.2](#)).
3. Insert the **TDPB-2V1AD** through the cut-out opening and fix to the table (see [Section 5.3](#)).
4. Connect the cables (see [Section 5.4](#)).

5.1 Cutting an Opening

The metal cutout template (supplied) defines the surface you have to cut out to install your **TDPB-2V1AD**.



The thickness of the table should be 3in (76mm) or less.

To cut an opening in the table:

1. Before cutting the opening, confirm the dimensions of the cutout template and make sure that they have not changed.
2. Place the included cut out template (that is included with your **TDPB-2V1AD**) on the surface of the table exactly where you want to install the **TDPB-2V1AD**.
3. Attach the template to the table with the included screws (if using the cut out template).
4. Following the **inside** edge of the template, cut a hole in the table surface with a sabre or keyhole saw according to the dimensions shown in [Figure 5](#) (not to scale).

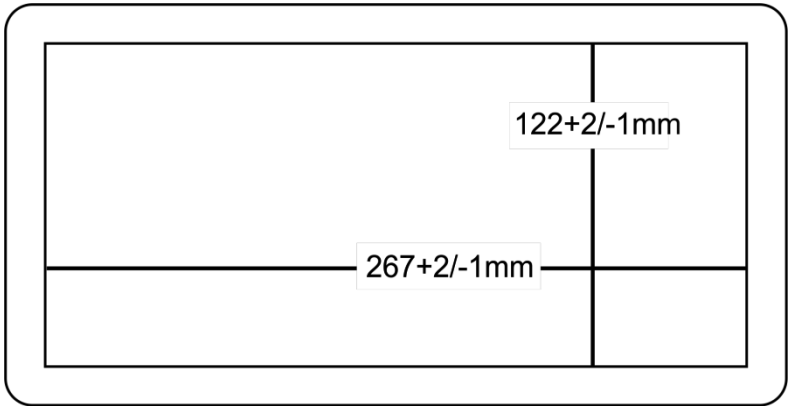


Figure 5: Cut out Dimensions

5. Unscrew and remove the template from the surface of the table and clean the table surface.

Take care not to damage the table.

If needed, you can download a full-scale template from our Web site.



Electronics is not responsible for any damage caused to the table.

5.2 Installing the Power Socket

Figure 6 shows an example of the Universal power socket housing which is one of the optional power sockets for the **TDPB-2V1AD**, see Section 4.2.

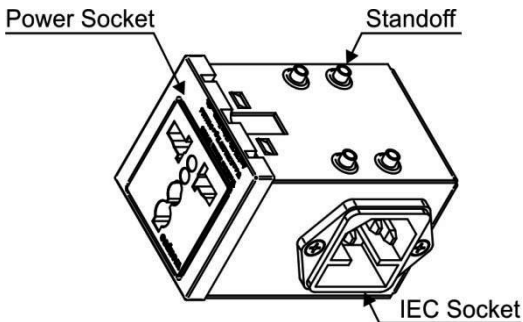


Figure 6: TDPB-2V1AD Universal Power Socket Housing

To install the power socket:

1. Close the **TDPB-2V1AD** lid.
2. Carefully insert the power socket housing so that the power socket fits into the power socket opening on the connecting surface and the four standoffs fit the four screw holes on the **TDPB-2V1AD**.

When positioned correctly, the IEC socket faces downwards.

3. Screw the four screws included in the power socket kit into the designated holes to fix the power socket housing in place (see [Figure 7](#)).

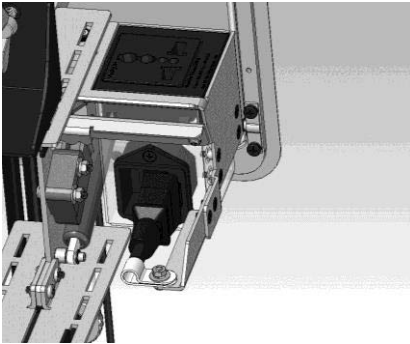


Figure 7: Power socket installed

4. Unscrew the power connector lock.
5. Connect the IEC power cord to the IEC socket.
6. Insert the power cord into the power connector lock and tighten the screw (see [Figure 2](#), item 12) to secure the power cable.

5.3 Inserting the TDPB-2V1AD through the Cut-Out Opening

To install the **TDPB-2V1AD**, do the following:

1. Carefully insert the unit into the prepared opening.
2. Take the support clamps under the table and place them into the support clamp grooves at the desired height (on both the front and rear sides of the unit).
3. Make sure that the upper outer rim is situated parallel to the edge of the table.
4. Insert the table securing screw through the holes in the mounting clamps and tighten the **TDPB-2V1AD** to the table.

5.4 Connecting the Cables

1. Connect the appropriate cables from underneath.
2. Secure the cables.
Do not keep the cord too tight or too loose.

Once you have connected the unit to the mains power and connected the proper cables, you may use the unit.

6 Technical Specifications

| | |
|------------------------------------|-------------------------------------------------------------------------------------------------------------------------------------------------------------------|
| PORTS: | 2 HDMI connector, 2 Ethernet RJ-45 connector, 2 15-pin HD connector, 2 3.5mm mini jack |
| POWER SOURCE (AC power limits): | 100-125V AC, 50/60Hz, 5A Maximum 5A per power outlet |
| FUSE RATING: | T 6.3A 250V |
| OPERATING TEMPERATURE: | 0° to +40°C (32° to 104°F) |
| STORAGE TEMPERATURE: | -40° to +70°C (-40° to 158°F) |
| HUMIDITY: | 10% to 90%, RHL non-condensing |
| DIMENSIONS: | Including the outer rim: 28.5cm x 14.0cm x 16.5cm (11.2" x 5.5" x 6.5") W, D, H Without the outer rim: 26.5cm x 12.0cm x 16.0 cm (10.4" x 4.7" x 6.3") W, D, H |
| WEIGHT: | 1.64kg (3.6lbs) approx. 1.88kg (4.1lbs) approx. with mounting clamps 2.26kg (5lbs) approx. packed product |
| ACCESSORIES: | Cut out metal template |
| OPTIONS: | Power socket kits, power cord |

intelix

DIGITAL & ANALOG DEVICES

11675 Ridgeline Drive
Colorado Springs, Co 80921
www.intelix.com



SAFETY WARNING
Disconnect the unit from the power supply before opening and servicing