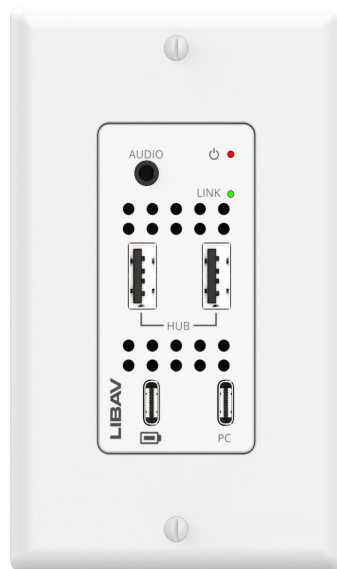


USER MANUAL

DL-1UC1A-WPKT-W Owners Manual



Digitalinx Series USB-C Wall Plate Extension Set.

70M 4K Single gang Decora USB-C wall plate extends AV up to 4K and USB2.0 High Speed data.

Liberty

www.libav.com 800.530.8998

PRODUCT OVERVIEW

The Digitalinx DL-1UC1A-WPKT-W HDBaseT 2.0 extender set transmits video, audio, USB High Speed Data (up to 190Mbps) from a single USB-C connected source and RS232 over single category 6 F/UTP or better twisted pair cable converting the AV to HDMI at the receiver. The DL-1UC1A-WPKT-W can transmit 4K resolutions up to 4K@60Hz, 4:2:0 up to 40m / 131' and 1080P up to 70m / 230'. The audio circuit is completely separate and is not dependent on the USB-C input source to be active. The wall plate transmitter and receiver each include a 2 port USB-A hub allowing for easy USB expansion and connection of other peripherals such as a camera, touch screen, microphone, or others to the connected source / host device over a single USB-C cable. The Digitalinx DL-1UC1A-WPKT-W is HDMI 1.4b and HDCP 2.2 compliant and supports CEC pass through. The Digitalinx DL-1UC1A-WPKT-W supports multiple audio formats including Dolby Digital, DTS, LPCM.

The DL-1UC1A-WPKT-W HDBaseT receiver powers wall plate transmitter via HDBaseT so there is no need for an external power supply for the wall plate. The DL-1UC1A-WPKT-W does have an optional USB-C charge port that only provides power to the main USB-C port. This port works by using the connected devices charger. When the charger is connected, the chargers power up to 65w will be injected into the USB-C AV/Data port allowing the connected device to remain charged while in use.

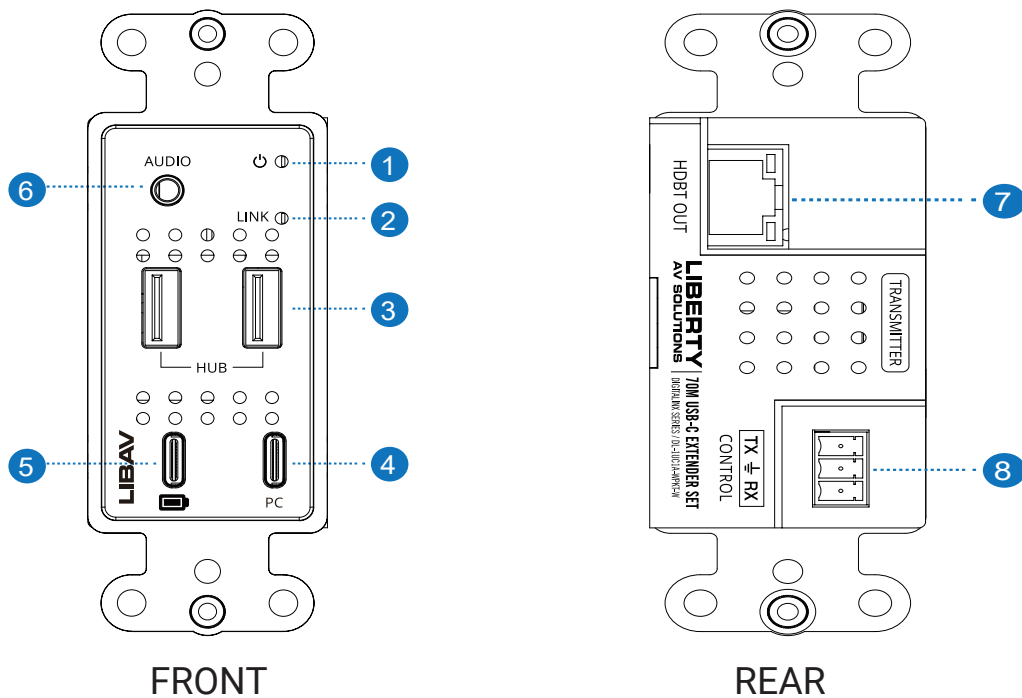
The DL-1UC1A-WPKT-W has an EDID Dipswitch to allow EDID selection.

The DL-1UC1A-WPKT-W is sold only as a set. The individual transmitter and receiver are not compatible with other HDBaseT devices due to proprietary PoE circuitry.

PACKAGE CONTENTS

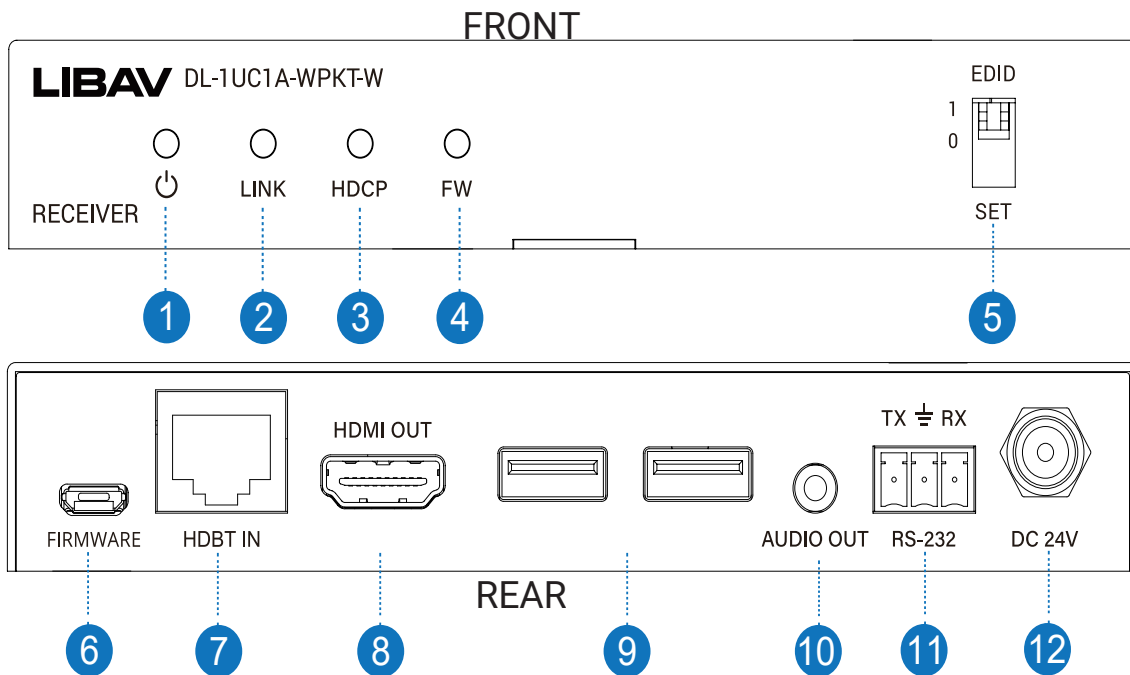
- DL-1UC1A-WPKT-W Wall plate extender set
- (2) Phoenix Connector
- (2) Mounting Ears with Mounting Screws
- 24V 1A Power Adapter with US, UK, AU AND EU Power Adapters

WALL PLATE PRODUCT BREAKDOWN



1. Power LED (Red) : When the transmitter is powered on, the red Power LED is on.
2. Link LED (Green) : When the transmitter and receiver have a good connection. The green LINK LED is on.
3. HUB ports : Two USB-A ports for connecting USB2.0 devices. Each USB-A port will provide power up to 5V/500mA.
4. USB-C : For connecting a PC / Laptop
5. USB-C charging port : For connecting a power adapter. The port will provide a max of 65W of power to USB-C source device.
6. Audio in : 3.5 mm Analog audio source input port.
7. HDBaseT out : HDBT signal output port.
8. RS232 : Serial port for transmitting / receiving RS232 signals

RECEIVER PRODUCT BREAKDOWN



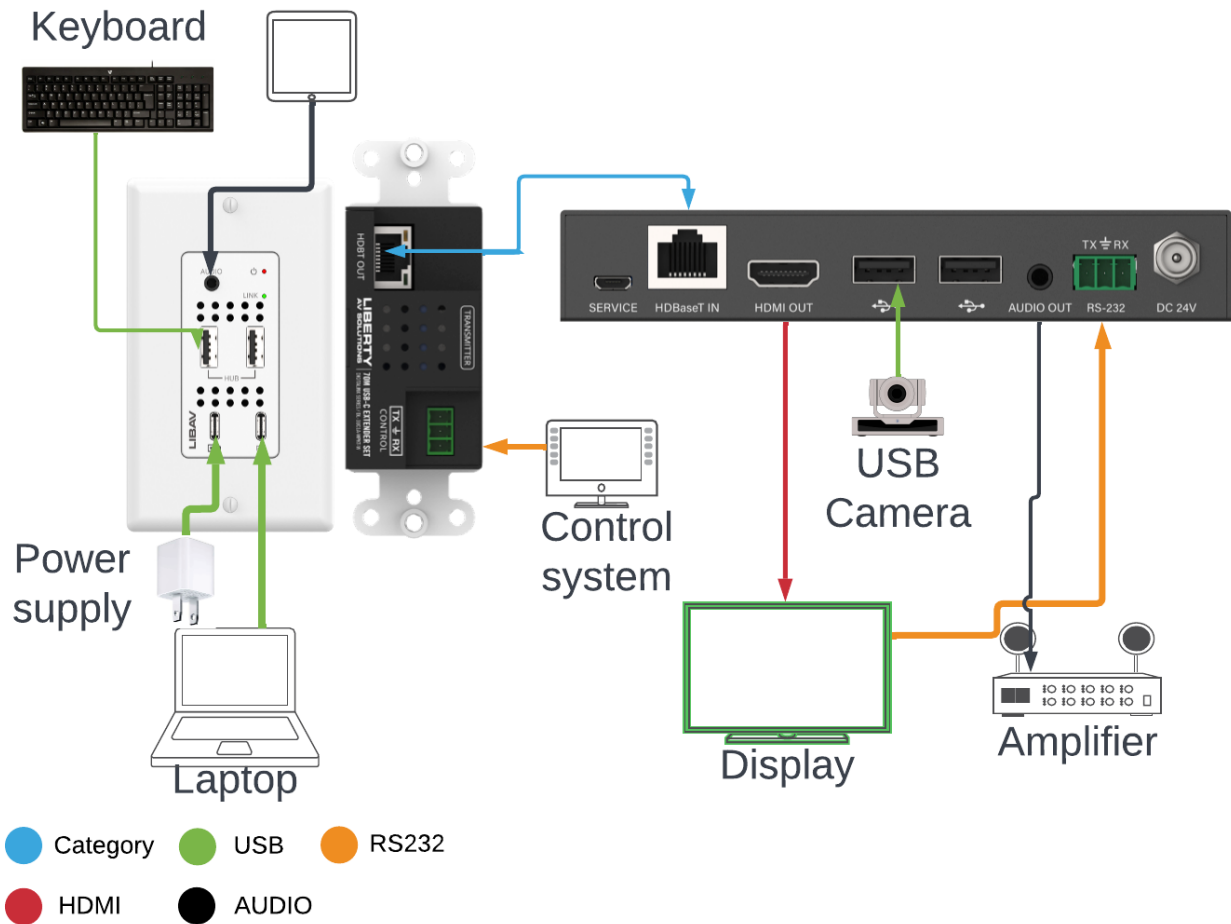
1. Power LED (Red) : The receiver is powered on, when red Power LED is on.
2. Link LED (Green) : When the transmitter and receiver have a good connection, the green link LED is on.
3. HDCP LED (Green) : Off = No video signal.
Solid = Video with HDCP content.
Flashing= Video signal with no HDCP content.
4. FW LED (Green) : Valens chip is running.
5. EDID DIP switch : See next page for settings
6. Micro USB : Firmware port
7. HDBaseT in : HDBT signal output port.
8. HDMI OUT : For connecting Display / Projector
9. USB HUB : USB A Female ports. Each Port will provide 5V 500mA for USB devices. USB bandwidth is limited to 190mbs
10. Audio out : 3.5mm Analog audio jack. Pass through from wall plate 3.5mm audio jack
11. RS232 : Phoenix connector. pass through from wall plate.
12. Power Port : DC 24v

CONFIGURATION SETTINGS

DIP SWITCH	EDID MODE
1 is down and 2 is down	Copy display's EDID (factory default)
1 is down and 2 is up	4K 30 4:4:4
1 is up and 2 is down	1080p60 4:4:4
1 is up and 2 is up	1200p60 4:4:4

APPLICATION DIAGRAM

Below is an example showing extender set in a typical application.



TECHNICAL SPECIFICATIONS

Model	DL-1UC1A-WPKT-W		
Physical Parameter			
Case Material	Receiver: Industrial-grade metal chassis with metal brackets Transmitter: Plastic with metal		
Dimensions	Transmitter: 37mm [W] x 64mm [D] x 105mm [H] Receiver: 140mm [W] x 75mm [D] x 23mm [H]		
Weight	Transmitter: 191g Receiver: 300g		
Power Protection	ESD protection with human body model — ±8kV (Air-gap discharge) & ±4kV (Contact discharge)		
Power Output	DC 24V 1A		
Power Input	AC 100-240V 50/69Hz		
Power Consumption	17.28W (Max)		
Operating Temperature	32- 104°F / 0- 40°C		
HDMI Specifications			
HDMI	1.4b		
HDCP	2.2/1.4		
Video Bandwidth	10.2 Gbps		
Video Resolutions	4096x2160@24/25/30/50/60Hz, 3840x2160@24/25/30/50/60Hz, 2048x1080p, 1080p@23.98/24/25/29.97/30/50/59.94/60Hz, 1080i@50/59.94/60Hz, 720p@50/59.94/60Hz, 576p, 576i, 480p, 480i		
Color Space	RGB, YCbCr 4:4:4 / 4:2:2. YUV 4:2:0		
Color Depth	8/10/12-bit		
Analog Audio Format	LPCM 2.0		
HDMI & USB-C Audio Formats	LPCM, Dolby Digital/Plus/EX, Dolby True HD, DTS, DTS-EX, DTS-96/24, DTS High Res, DTS-HD Master Audio, DSD		
Connectivity			
Inputs	Inputs: 2x USB HUB [Type A, 4-pin female] 1x USB-C 1x Analog Audio [3.5mm audio jack] Rx : 1xHDBT IN [RJ45, Female]		
Outputs	Outputs: 1x HDBT OUT [RJ45, 8-pin female] 1x USB-C (only for charging) 1x RS-232 Phoenix jack 3 pin (3.81mm) Rx: 1xHDMI Type A-Female 1x Audio Out [3.5mm] 2x USB A 1x RS-232 Phoenix jack 3 pin (3.81mm) 1x Micro USB (Firmware)		
Transmission			
Max Distance (1080P)	230ft / 70m over CAT6/6a/7		
Max Distance (UHD/4K)	131ft / 40m over CAT6/6a/7		

Thank you for your purchase.

For technical support please call our
toll-free number at 800-530-8998
or email us at supportlibav@libav.com

Liberty

www.libav.com 800-530-8998