

# USER MANUAL

## DL-1H1A1UB-H3 Owners Manual



Digitalinx Series 4K HDMI & USB HDBaseT 3.0 Extension Set.

18G uncompressed HDMI 2.0 4K60 and USB 2.0 High speed extender set with client hub on both ends

**Liberty**

[www.libav.com](http://www.libav.com) 800.530.8998

# PRODUCT OVERVIEW

The Digitalinx DL-1H1A1UB-H3 HDBaseT 3.0 extender set transmits video, audio, USB High Speed and RS232 over single category 6a F/UTP or better twisted pair cable. The DL-1H1A1UB-H3 can transmit 4K resolutions up to 4K@60Hz, 4:4:4 up to 40m / 131' and 1080P up to 70m / 230'. The transmitter and receiver each include a 2 port USB-A hub allowing for easy USB expansion and connection of other peripherals such as a camera, touch screen, microphone, or others to the connected source / host device. The Digitalinx DL-1H1A1UB-H3 is HDMI 2.0 and HDCP 2.2 compliant and supports CEC pass through. The Digitalinx DL-1H1A1UB-H3 supports multiple audio formats including LPCM, Dolby Digital/Plus/EX, Dolby True HD, DTS, DTS-EX, DTS-96/24, DTS High Res, DTS-HD Master Audio.

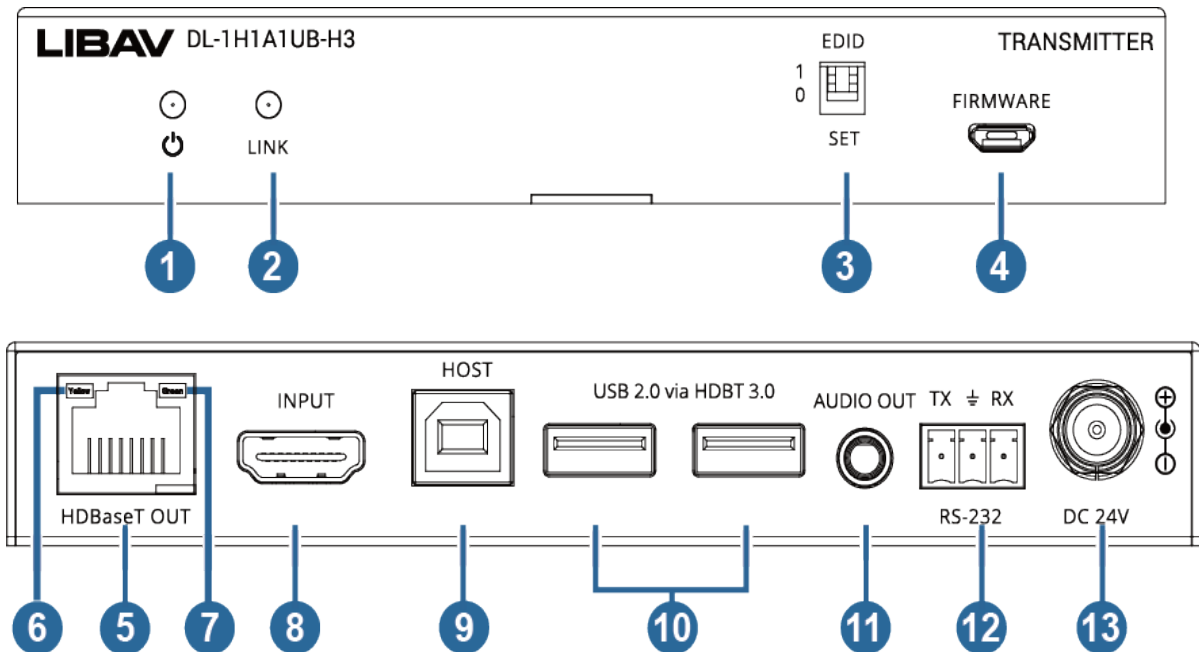
The DL-1H1A1UB-H3 has an EDID Dipswitch to allow EDID selection.

The DL-1H1A1UB-H3 is sold only as a set. The individual transmitter and receiver are not compatible with other HDBaseT devices due to proprietary PoE circuitry.

## PACKAGE CONTENTS

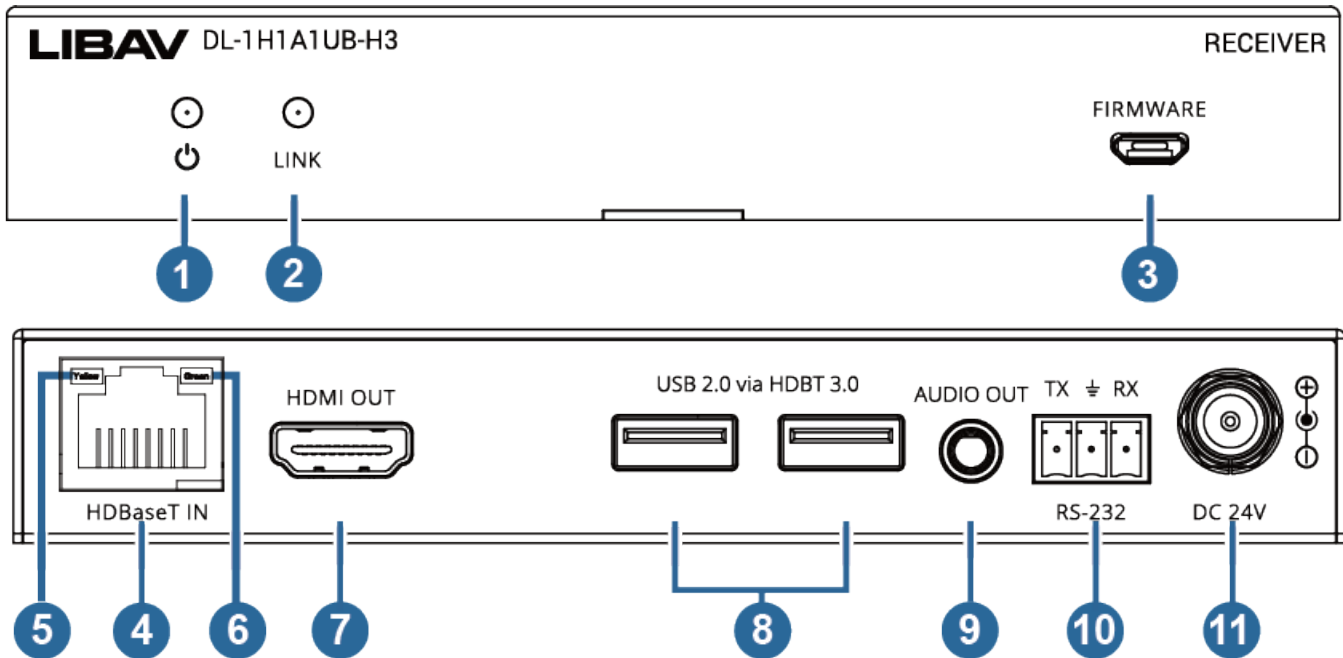
- DL-1H1A1UB-H3 extender set
- (2) 3pin-3.81mm Phoenix Connectors (Male)
- (4) Mounting Ears with Mounting Screws
- 24V 1A Power Adapter with US, UK, AU AND EU Power Adapters

# TRANSMITTER PRODUCT BREAKDOWN



1. Power LED (Red) : The red power LED is on the transmitter has power.
2. Link LED (Green) : Link LED is on, the transmitter and receiver have a good connection. When it's off the units are not connected.
3. EDID DIP switch : See EDID section for settings.
4. Micro USB : Firmware port
5. HDBaseT out : HDBT signal output port.
6. Data Signal LED (Yellow) : Solid -HDMI signal with HDCP. Flashing-HDMI signal without HDCP. OFF - No HDMI signal
7. Link LED (Green) : Link LED is on, the transmitter and receiver have a good connection. When it's off the units are not connected.
8. HDMI INPUT : For connecting Source
9. USB Host : For connecting PC USB
10. USB HUB : USB A Female ports for client / remote devices.
11. Audio out : 3.5mm Analog audio jack, De-embedding HDMI audioDL-1
12. RS232 : Phoenix connector, pass through to Rx RS232.
13. Power Port : DC 24v, only one side needs power.

# RECEIVER PRODUCT BREAKDOWN



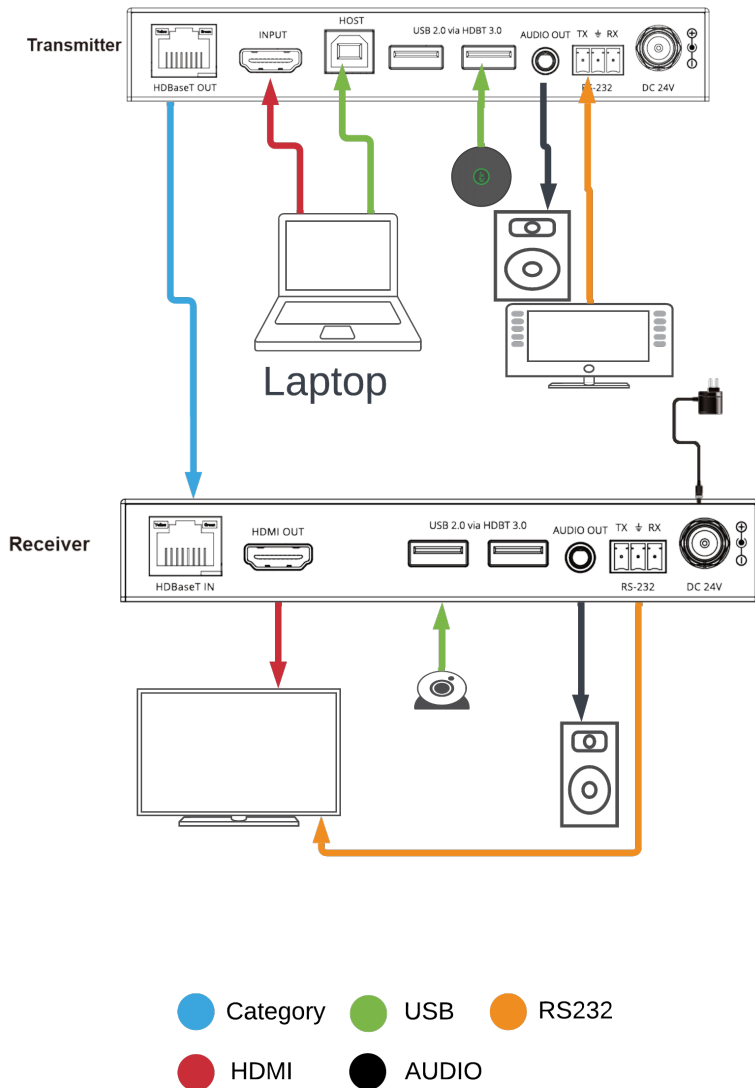
1. Power LED (Red) :The red power LED is on the transmitter has power.
2. Link LED (Green) : Link LED is on, the transmitter and receiver have a good connection. When it's off the units are not connected.
3. Micro USB : Firmware port
4. HDBaseT in : HDBT signal output port.
5. Data Signal LED (Yellow) : Solid -HDMI signal with HDCP. Flashing-HDMI signal without HDCP. OFF - No HDMI signal
6. Link LED (Green) : Link LED is on, the transmitter and receiver have a good connection. When it's off the units are not connected.
7. HDMI OUT : For connecting Display / Projector.
8. USB HUB : USB A Female ports. Each Port will provide 5V 500mA for USB devices. USB bandwidth is limited to 480mbs
9. Audio out : 3.5mm Analog audio jack,De-embedding HDMI audio
10. RS232 : Phoenix connector, pass through from wall plate
11. Power Port : DC 24v, only one side needs power.

# CONFIGURATION SETTINGS

DIP SWITCH	EDID MODE
1 is down and 2 is down	Copy display's EDID (factory default)
1 is down and 2 is up	4K 30 4:4:4
1 is up and 2 is down	1080p60 4:4:4
1 is up and 2 is up	1200p60 4:4:4

## APPLICATION DIAGRAM

Below is an example of an extender set in a typical application.



# TECHNICAL SPECIFICATIONS

<b>Model</b>	DL-1H1A1U-B-H3		
<b>Physical Parameter</b>			
Case Material	Receiver: Industrial-grade metal chassis with metal brackets Transmitter: Industrial-grade metal chassis with metal brackets		
Dimensions	Transmitter: 144mm [W] x 78mm [D] x 23mm [H] Receiver: 144mm [W] x 78mm [D] x 23mm [H]		
Weight	Transmitter: 323g Receiver: 319g		
Power Protection	ESD protection with human body model — ±8kV (Air-gap discharge) & ±4kV (Contact discharge)		
Power Output	DC 24V 1A		
Power Input	AC 100-240V 50/60Hz		
Power Consumption	14.28W (Max)		
Operating Temperature	32- 104°F / 0- 40°C		
<b>HDMI Specifications</b>			
HDMI	2.0b		
HDCP	2.2/1.4		
Video Bandwidth	18 Gbps		
Video Resolutions	4096x2160@24/25/30/50/60Hz, 3840x2160@24/25/30/50/60Hz, 2048x1080p, 1080p@23.98/24/25/29.97/30/50/59.94/60Hz, 1080i@50/59.94/60Hz, 720p@50/59.94/60Hz, 576p, 576i, 480p, 480i		
Color Space	RGB, YCbCr 4:4:4 / 4:2:2. YUV 4:2:0		
Color Depth	8/10/12-bit		
Analog Audio Format	LPCM 2.0		
HDMI & USB-C Audio Formats	LPCM, Dolby Digital/Plus/EX, Dolby True HD, DTS, DTS-EX, DTS-96/24, DTS High Res, DTS-HD Master Audio, DSD		
<b>Connectivity</b>			
Inputs	Inputs: 2x USB HUB [Type A, 4-pin female] 1x HDMI 1x USB Host Rx : 1xHDBT IN [RJ45, Female]		
Outputs	Outputs: 1x HDBT OUT [RJ45, 8-pin female] 1x RS-232 Phoenix jack 3 pin (3.81mm) 1x Analog Audio [3.5mm audio jack] Rx: 1xHDMI Type A-Female 1x Analog Audio [3.5mm] 2x USB A 1x RS-232 Phoenix jack 3 pin (3.81mm) 1x Micro USB (Firmware)		
<b>Transmission</b>			
Max Distance (1080P)	230ft / 70m over CAT6/6a/7		
Max Distance (UHD/4K)	131ft / 40m over CAT6a/7		

**Thank you for your purchase.**

For technical support please call our  
toll-free number at 800-530-8998  
or email us at [supportlibav@libav.com](mailto:supportlibav@libav.com)

**Liberty**

[www.libav.com](http://www.libav.com) 800-530-8998